



## INSTALLATION INSTRUCTIONS FOR PART 95-7313

### APPLICATIONS

2001-2006 Hyundai Elantra

2003-2008 Hyundai Tiburon

2002-2005 Hyundai Sonata

2001-2006 Kia Optima *(2006 Early Production Models Only)*

# 95-7313

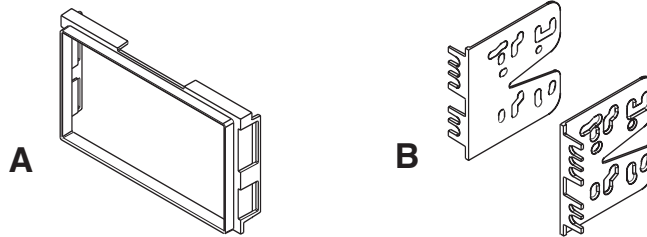


#### KIT FEATURES

- DDIN Head Unit Provision
- STACKED ISO DIN Head Unit Provision

#### KIT COMPONENTS

A) DDIN Trim Plate | B) DDIN Brackets



#### TOOLS REQUIRED:

Flat Blade Screwdriver | Phillips Screwdriver



1-800-221-0932



[www.metraonline.com](http://www.metraonline.com)

© COPYRIGHT 2004-08 METRA ELECTRONICS CORPORATION



# 95-7313

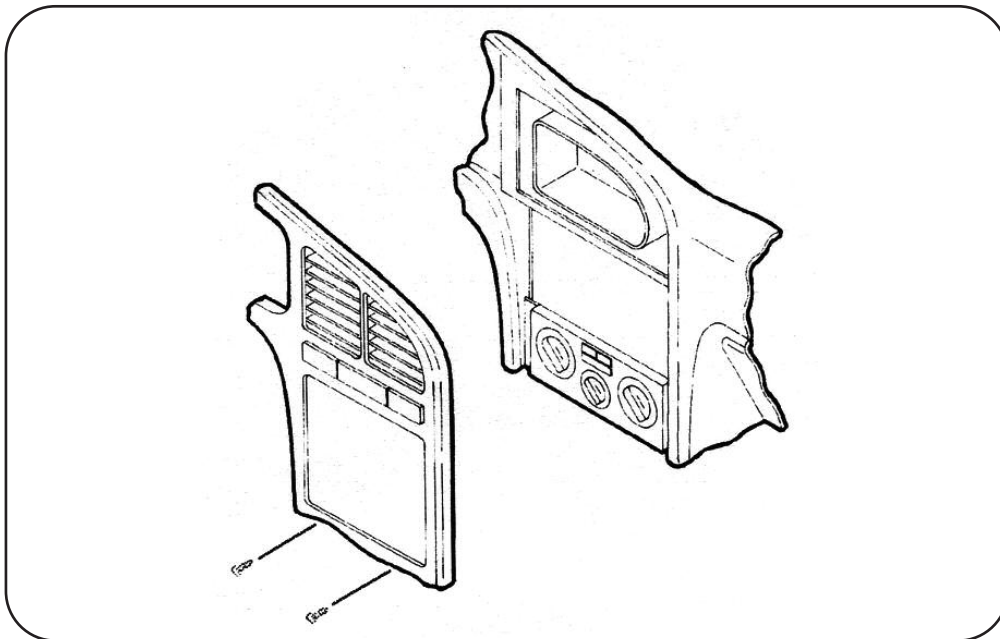
## TABLE OF CONTENTS

<i>Dash Disassembly</i> .....	1-4
<i>Kit Assembly</i> .....	5-6
<i>Final Assembly</i> .....	7

## **2001-2006 HYUNDAI ELANTRA**

- 1** Disconnect the negative battery terminal to prevent an accidental short circuit.
- 2** Remove (2) Phillips screws from under the instrument cluster.
- 3** Remove ashtray then remove (2) Phillips screws in ashtray cavity.
- 4** Unclip and remove panel surrounding radio. (Figure A)
- 5** Remove (4) Phillips screws securing radio.

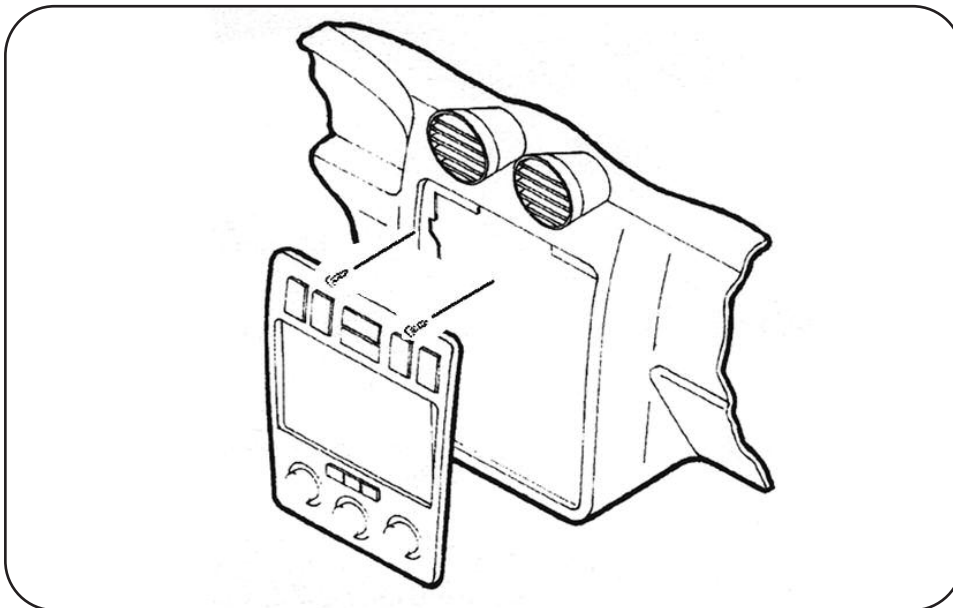
**A**



**2003-2008 HYUNDAI TIBURON**

- 1 Disconnect the negative battery terminal to prevent an accidental short circuit.
- 2 Unclip and remove the radio trim panel starting with the bottom edge. (Figure A)
- 3 Remove (2) Phillips screws securing radio.

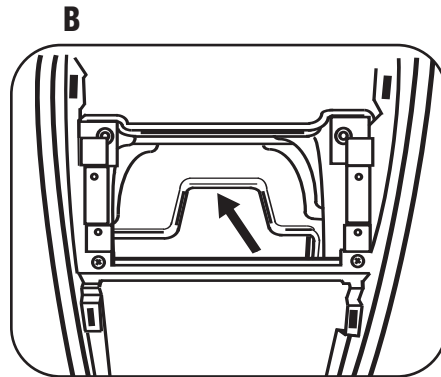
A



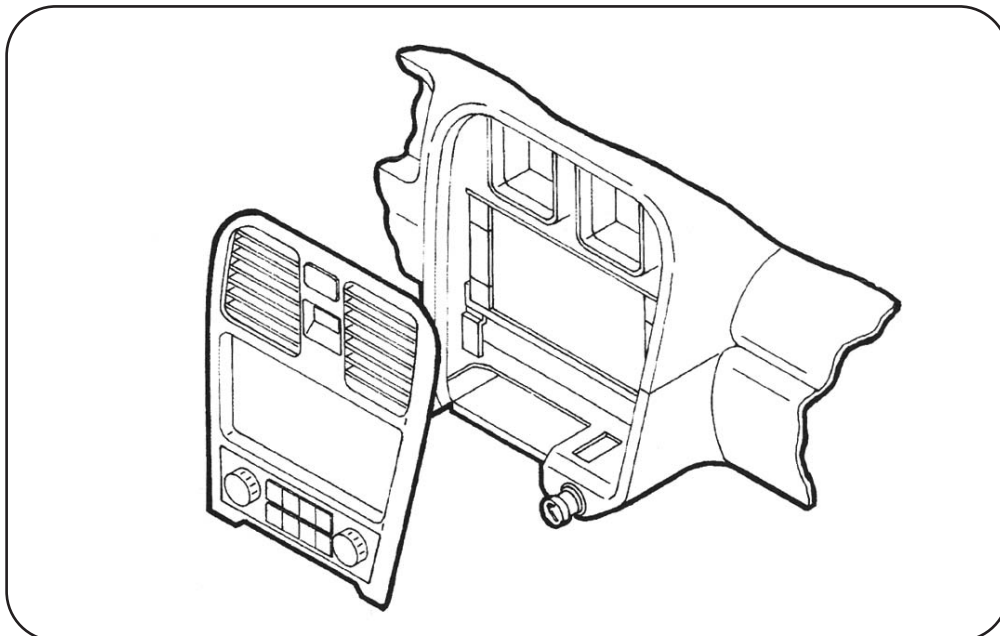
## 2002-2005 HYUNDAI SONATA

## 2001-2005 KIA OPTIMA

- 1 Disconnect the negative battery terminal to prevent an accidental short circuit.
- 2 Unclip and remove entire panel surrounding radio. (Figure A)
- 3 Remove (4) Phillips screws securing radio.
- 4 The rear support bar in the sub dash will need to be cut and removed for aftermarket radio clearance. (Figure B)



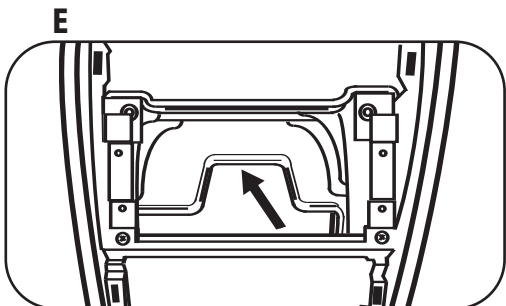
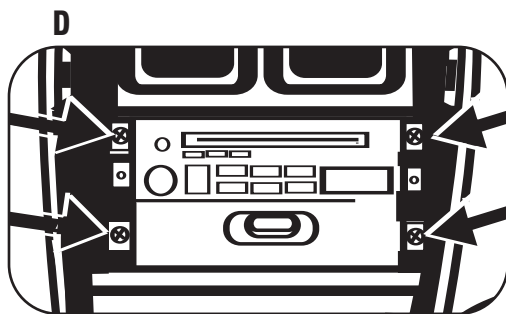
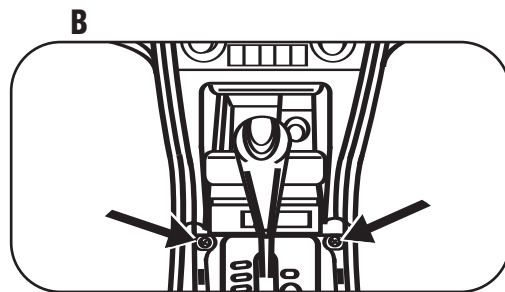
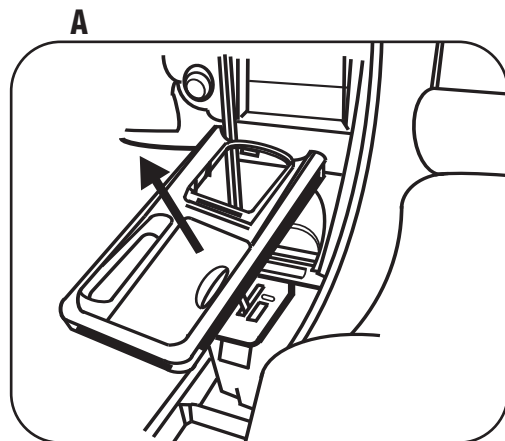
A



**DASH DISASSEMBLY**

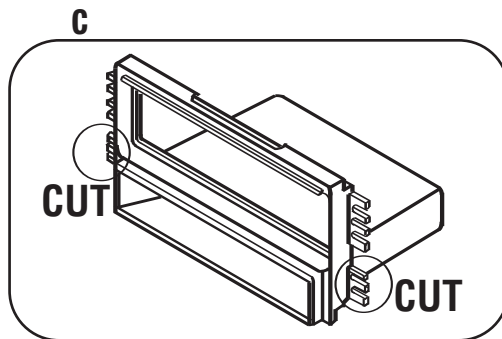
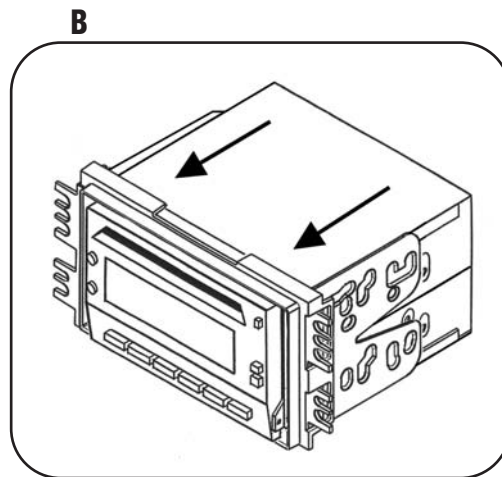
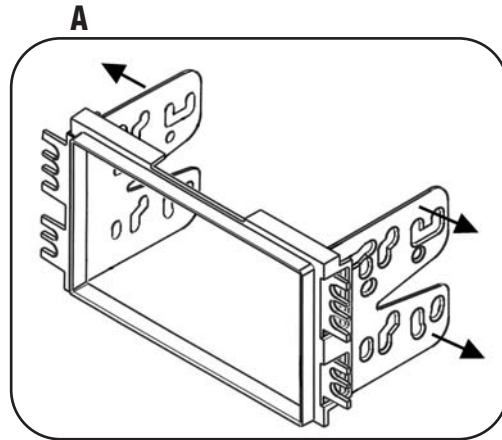
### **2006 KIA OPTIMA** *(2006 Early Production Models Only)*

- 1 Disconnect the negative battery terminal to prevent an accidental short circuit.
- 2 Unclip and remove panel surrounding shifter. (Figure A)
- 3 Remove (2) Phillips screws at bottom of panel surrounding radio and climate control then unclip and remove entire panel. (Figure B,C)
- 4 Remove (4) Phillips screws securing radio. (Figure D)
- 5 The rear support bar in the sub dash will need to be cut and removed for aftermarket radio clearance. (Figure E)



## DOUBLE DIN HEAD UNIT PROVISION

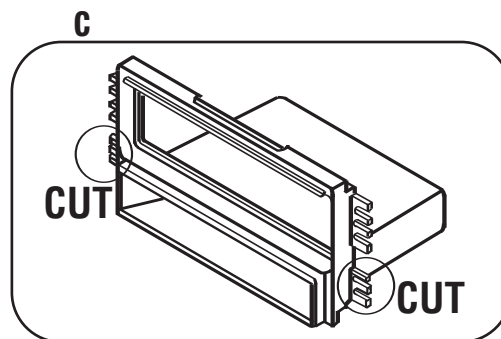
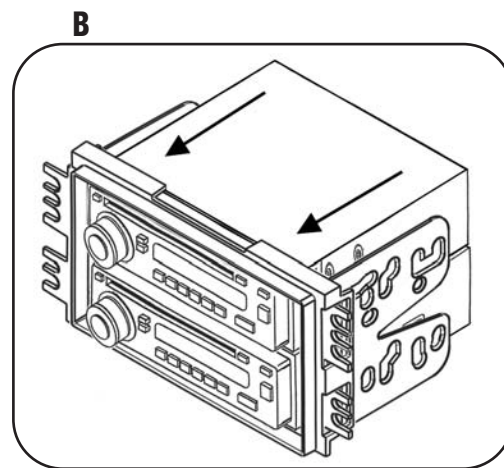
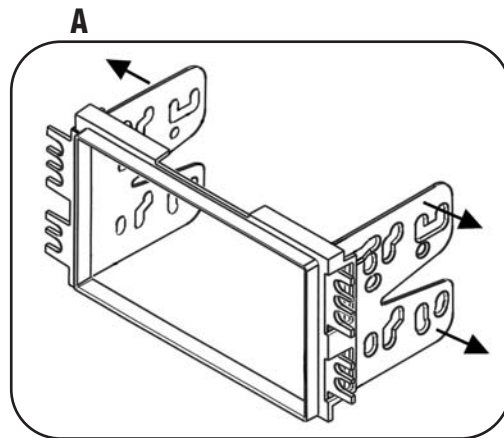
- 1 Slide the appropriate bracket into the trim plate aligning the holes in the trim plate to the clips on the bracket. (Figure A)
- 2 Slide the DDIN radio unit into the trim plate bracket assembly and secure the unit to the kit using the screws supplied with the head unit. (Figure B)



**NOTE:** For the 2003-2008 Hyundai Tiburon applications you will need to cut and remove the bottom mounting tabs on the DDIN brackets. (Figure C)

### STACKED ISO DIN HEAD UNIT PROVISION

- 1 Slide the appropriate bracket into the trim plate aligning the holes in the trim plate to the clips on the bracket. (Figure A)
- 2 Slide the stacked ISO DIN units into the trim plate bracket assembly and secure the unit to the kit using the screws supplied with the head unit. (Figure B)



**NOTE:** For the 2003-2008 Hyundai Tiburon applications you will need to cut and remove the bottom mounting tabs on the DDIN brackets. (Figure C)

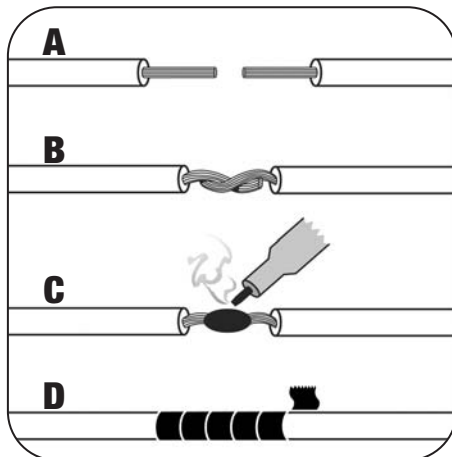


## FINAL ASSEMBLY

- 1 Locate the factory wiring harness in the dash and make the connection as shown. Metra recommends using the proper mating adapter and making the connections as shown. (Isolate and individually tape off the ends of any unused wires to prevent electrical short circuit.)
- 2 Re-connect the negative battery terminal and test the unit for proper operation.
- 3 Reassemble radio and dash assemblies in reverse order of disassembly.

### FINAL WIRING CONNECTIONS

Make wiring connections using the EIA color code chart shown below and the instructions included with the head unit. Metra recommends making connections as shown below; Strip, Splice, Solder, Tape. Isolate and individually tape off ends of any unused wires to prevent electrical short circuit.



- A) Strip wire ends back 1/2"**
- B) Twist ends together**
- C) Solder**
- D) Tape**

### METRA / EIA WIRING CODE

12V Ignition / Acc . . . Red	Right Front (+) . . . . Gray
12V Batt / Memory . . Yellow	Right Front (-) . . . . Gray / Black
Ground . . . . . Black*	Left Front (+) . . . . . White
Power Antenna . . . . . Blue	Left Front (-) . . . . . White / Black
Amp Turn-On . . . . . Blue / White	Right Rear (+) . . . . . Violet
Amp Ground . . . . . Black / White	Right Rear (-) . . . . . Violet / Black
Illumination. . . . . Orange	Left Rear (+) . . . . . Green
Dimmer . . . . . Orange / White	Left Rear (-) . . . . . Green / Black

**\*NOTE:** When Black a wire is not present, ground radio to vehicle chassis.  
All colors may not be present on all leads due to manufacturer's specifications.





# 95-7313 INSTRUCTIONS



**1-800-221-0932**



**[www.metraonline.com](http://www.metraonline.com)**

REV. 05/20/08

© COPYRIGHT 2004-08 METRA ELECTRONICS CORPORATION

INST95-7313